



## Installation and Maintenance Manual

Series VZ200/400 Body Ported/Base Mounted Solenoid Valves  
3 Port Solenoid Valve, Metal Seal



Read this manual before using this product.

- The information within this document is to be used by pneumatically trained personnel only.
- For future reference, please keep manual in a safe place.
- This manual should be read in conjunction with the current catalogue.

### 1 SAFETY RECOMMENDATION

#### 1.1 General recommendation

These safety instructions are intended to prevent a hazardous situation and/or equipment damage. These instructions indicate the level of potential hazard by label of "Caution", "Warning" or "Danger". To ensure safety, be sure to observe ISO4414 (Note1), JIS B 8370 (Note2) and other safety practices.

Note 1:ISO 4414:Pneumatic fluid power - General rules relating to systems.

Note 2:JIS B 8370:Pneumatic system axiom.

**CAUTION:** Operator error could result in injury or equipment damage.

**WARNING:** Operator error could result in serious injury or loss of life.

**DANGER:** In extreme conditions, there is a possible result of serious injury or loss of life.

#### WARNING

- The compatibility of pneumatic equipment is the responsibility of the person who designs the pneumatic system or decides its specifications.
  - Since the products specified here are used in various operating conditions, their compatibility for the specific pneumatic system must be based on specifications or after analysis and/or tests to meet your specific requirements.
- Only trained personnel should operate pneumatically operated machinery and equipment.
  - Compressed air can be dangerous if an operator is unfamiliar with it Assembly, handling or repair of pneumatic systems should be performed by trained and experienced operators.
- Do not service machinery/equipment or attempt to remove components until safety is confirmed.
  - Inspection and maintenance of machinery/equipment should only be performed after confirmation of safe locked-out control positions.
  - When equipment is to be removed, confirm the safety process as mentioned above. Switch off air and electrical supplies and exhaust all residual compressed air in the system.
  - Before machinery/equipment is re-started, ensure all safety measures to prevent sudden movement of cylinders etc. (Bleed air into the system gradually to create backpressure, i.e. incorporate a soft-start valve).
- Contact SMC if the product is to be used in any of the following conditions:
  - Conditions and environments beyond the given specifications, or if product is used outdoors.
  - Installations in conjunction with atomic energy, railway, air navigation, vehicles, medical equipment, food and beverage, recreation equipment, emergency stop circuits, press applications, or safety equipment.
  - An application, which has the possibility of having negative effects on people, property, or animals, requiring special safety analysis.

#### CAUTION

- Ensure that the air supply system is filtered to 5 micron.

#### 1.2 Conformity to standard

This product is certified to and complies with the following standards:

EMC Directive 89/336/EEC	EN50082-1, -2, EN55022
Low Voltage Directive 93/68/EEC	DIN VDE 0580/10.94

## 2 INTENDED CONDITIONS OF USE

### 2.1 Specifications

Valve specifications		
Fluid	Air, inert gas	
Operating pressure range	VZ200	0.1~1.0MPa
	VZ400	0.15~1.0MPa
Ambient and fluid temperature	-10°C to max. 50°C	
Response time <sup>(1)</sup>	VZ200	17ms or less
	VZ400	21ms or less
Max. Operating Frequency	VZ200	20c/sec
	VZ400	15c/sec
Manual override	Non-locking push style, Locking slotted style, Locking lever style	
Pilot exhaust	Individual, common	
Lubrication	Not required (use turbine oil #1 ISO VG32 if lubrication is required)	
Mounting position	Free	
Shock/vibration resistance <sup>(2)</sup>	150/30 m/s <sup>2</sup> <sup>(2)</sup>	
Enclosure <sup>(3)</sup>	Dust proof <sup>(3)</sup>	

Solenoid specifications		
Electrical entry	Grommet (G), Plugconnector (M, L), Din terminal	
Rated voltage	AC50/60Hz	24V, 48V, 100V, 110V, 200V, 220V
	DC	6V, 12V, 24V, 48V
Allowable voltage fluctuation	-15% to +10% of rated voltage	
Apparent power (VA)	Starting	4.5VA/50Hz, 4.2VA/60Hz
	Holding	3.5VA/50Hz, 3VA/60Hz
Power consumption	DC	1.8 W (with light:2.1W)
	Surge voltage suppressor	AC ZNR DC Diode
Indicator light	AC	Neon lamp
	DC	LED

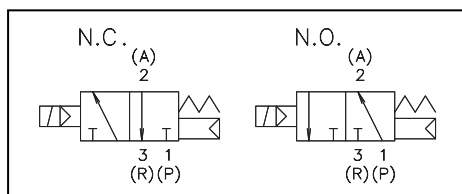
Note 1) As per JISB8375-1981 (supply pressure 0.5 MPa; without surge voltage suppressor).

Note 2) Shock resistance: No malfunction resulted from test using a drop impact tester. The test was performed one time each in the axial and right angle directions of the main valve and armature, for both energized and de-energized status

Vibration resistance: No malfunction resulted in a 45 to 2000Hz one sweep test performed in the axial and right angle directions of the main valve and armature, for both energized and de-energized status.

Note 3) As per JIS C0920

### 2.2 Circuit Symbols



## 3 INSTALLATION

#### WARNING

- Do not install unless the safety instructions have been read and understood.

#### 3.1 Environment

#### WARNING

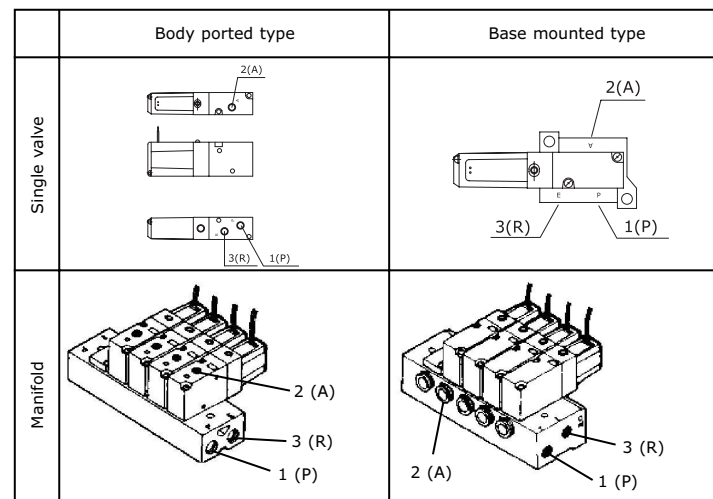
- Do not use in an environment where the product is directly exposed to corrosive gases, chemicals, salt water, water or steam.
- Do not use in an explosive atmosphere.
- The product should not be exposed to prolonged sunlight. Use a protective cover.
- Do not mount the product in a location where it is subject to strong vibrations and/or shock. Check the product specifications for above ratings.
- Do not mount the product in a location where it is exposed to radiant heat.

#### 3.2 Piping

#### CAUTION

- Before piping make sure to clean up chips, cutting oil, dust etc.
  - When installing piping or fitting into a port, ensure that sealant material does not enter the port inside.
- When using seal tape, leave 1.5 to 2 threads exposed on the end of pipe/fitting.

Thread	Appropriate tightening torque (Nm)
M5	By hand + 1/6 turn with the wrench (1/4 turn for miniature fittings)
Rc 1/8	7 to 9
Rc 1/4	12 to 14



### 3.3 Electrical connection

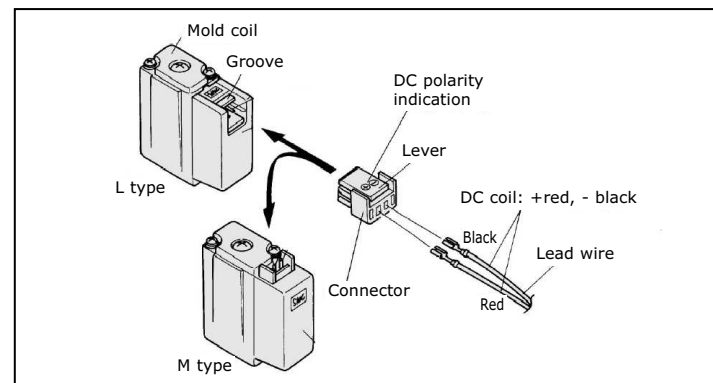
#### CAUTION: Polarity (Valves)

- When DC power is connected to a solenoid valve equipped with light and/or surge voltage suppressor, check for polarity indications.
- For polarity indications:
  - No diode to protect polarity: if polarity connection is wrong, the diode in the valve or switching device at control equipment or power supply may be damaged.
  - With diode to protect polarity: if polarity connection is wrong, the valve does not switch.

		Grommet	Plug connector	Part No. symbol
AC	Without light			S
	With light	Not available		Z
DC	Without light			S
	With light	Not available		Z

Connection/Disconnection of plug

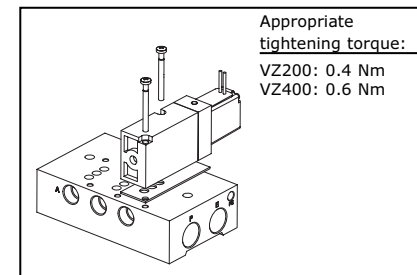
- Connection: Push the connector straight on the pin of the solenoid with your finger. Push the lip of the lever in the concave groove in order to lock it
- Disconnection: Pinch the lever against the connector with your thumb and pull connector away from the solenoid



### 3.4 Mounting

#### CAUTION

- After confirming the installation of the gaskets, securely tighten the screws to the tightening torque as shown, right.



### 3.5 Lubrication

#### CAUTION

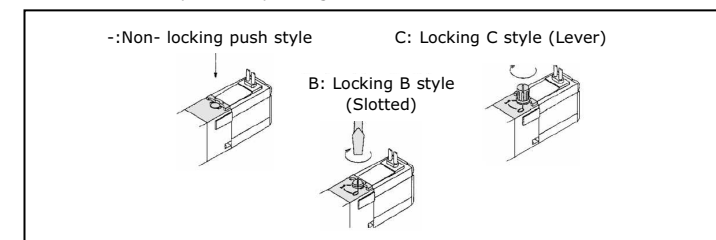
- SMC products have been lubricated for life at manufacturer, and do not require lubrication in service.
- If a lubricant is used in the system, use turbine oil Class 1(no additive), ISO VG32. Once lubricant is used in the system, lubrication must be continued because the original lubricant applied during manufacturing will be washed away.

## 4 SETTINGS AND PROGRAMMING

### 4.1 Manual override operation

#### WARNING

- When the manual override is operated, connected equipment will be actuated. Confirm safety before operating



## 5 MAINTENANCE

#### WARNING

- Not following proper procedures could cause the product to malfunction and could lead to damage to the equipment or machine.
- If handled improperly, compressed air can be dangerous. Assembly, handling and repair of pneumatic system should be performed by qualified personnel only.
- Drain: remove condensate from the filter bowl on a regular basis.
- Shut-down before maintenance: before attempting any kind of maintenance make sure the supply pressure is shut off and all residual air pressure is released from the system to be worked on.
- Start-up after maintenance: apply operating pressure and power to the equipment and check for proper operation and possible air leaks. If operation is abnormal, please verify product set-up parameters.
- Do not make any modification to the product.
- Do not disassemble the product, unless required by installation or maintenance instructions.

### 5.1 Manifold mounting

Refer to paragraph 3.4, for mounting valves onto manifolds.

## 6 LIMITATIONS OF USE

#### WARNING

- Do not exceed any of the specifications laid out in section 2 of this document or the specific product catalogue.
- Do not disassemble the product, unless required by installation or maintenance instructions.

## 7 EUROPEAN CONTACT LIST

### SMC Corporation

Country	Telephone	Country	Telephone
Austria	(43) 2262-62 280	Italy	(39) 02-92711
Belgium	(32) 3-355 1464	Netherlands	(31) 20-531 8888
Czech Republic	(420) 5-414 24611	Norway	(47) 67 12 90 20
Denmark	(45) 70 25 29 00	Poland	(48) 22-548 50 85
Finland	(358) 9-859 580	Portugal	(351) 22 610 89 22
France	(33) 1-64 76 1000	Spain	(34) 945-18 4100
Germany	(49) 6103 4020	Sweden	(46) 8-603 0700
Greece	(30) 1- 342 6076	Switzerland	(41) 52-396 3131
Hungary	(36) 1-371 1343	Turkey	(90) 212 221 1512
Ireland	(351) 1-403 9000	United Kingdom	(44) 1908-56 3888

### Websites

SMC Corporation [www.smcworld.com](http://www.smcworld.com)

SMC Europe

[www.smceu.com](http://www.smceu.com)