



**Instructions and Maintenance Manual**  
**ISO Cylinder**  
**Series C95**

CE II 3GD 70°C (T6) Ta -10°C to 40°C  
 90°C (T5) Ta 40°C to 60°C

Read this manual before using this product.

For future reference, please keep this manual in a safe place.

The information within this document is to be used by pneumatically trained personnel only.

This manual should be read in conjunction with the current catalogue.

**Marking description**

II 3GD 70°C (T6) Ta -10°C to 40°C  
 90°C (T5) Ta 40°C to 60°C

Group II  
 Category 3  
 Suitable for Dust and Gas environment  
 Max surface temperature 70°C and temperature class T6 when ambient temperature is from -10°C to 40°C  
 Max surface temperature 90°C and temperature class T5 when ambient temperature is from 40°C to 60°C

**1 SAFETY RECOMMENDATION**

**1.1 General recommendation**

These safety instructions are intended to prevent a hazardous situation and/or equipment damage. These instructions indicate the level of potential hazard by label of "Caution", "Warning" or "Danger". To ensure safety, be sure to observe ISO4414 (Note1), JIS B 8370 (Note2) and other safety practices.

Note 1: ISO 4414: Pneumatic fluid power - Recommendations for the application of equipment to transmission and control systems. Note 2: JIS B 8370: Pneumatic system axiom.

- CAUTION:** Operator error could result in injury or equipment damage.
- WARNING:** Operator error could result in injury or loss of life.
- DANGER:** In extreme conditions, there is possible result of serious injury or loss of life.

**WARNING**

1. **The compatibility of pneumatic equipment is the responsibility of the person who designs the pneumatic system or decides its specifications.**  
 Since the products specified here are used in various operating conditions, their compatibility for the specific pneumatic system must be based on specifications or after analysis and/or tests to meet your specific requirements.
2. **Only trained personnel should operate pneumatically operated machinery and equipment.**  
 Compressed air can be dangerous if an operator is unfamiliar with it. Assembly, handling or repair of pneumatic systems should be performed by trained and experienced operators.
3. **Do not service machinery/equipment or attempt to remove component until safety is confirmed.**
  - 1) Inspection and maintenance of machinery/equipment should only be performed after confirmation of safe locked-out control positions.
  - 2) When equipment is to be removed, confirm the safety process as mentioned above. Switch off air and electrical supplies and exhaust all residual compressed air in the system.
  - 3) Before machinery/equipment is re-started, ensure all safety measures to prevent sudden movement of cylinders etc. (Bleed air into the system gradually to create backpressure, i.e. incorporate a soft-start valve).
4. **Contact SMC if the product is to be used in any of the following conditions:**
  - 1) Conditions and environments beyond the given specifications, or if product is used outdoors.

- 2) Installations in conjunction with atomic energy, railway, air navigation, vehicles, medical equipment, food and beverage, recreation equipment, emergency stop circuits, press applications, or safety equipment.
- 3) Applications, which have the possibility of having negative effects on people, properties or animals, requiring special safety analysis.

**1.2 Conformity to standard**

This product if certified to and complies with the following standards:

- Directive 94/9/EC
- EN 13463-1:2001  
 Non-electrical equipment for potentially explosive atmospheres  
 Part 1: Basic method and requirements

**1.3 Specific recommendations**

**WARNING**

1. **Do not open the cushion valve above the stopper.**  
 Cushion valves are provided with a crimp (Ø32) or a retaining ring (Ø40 to Ø100) as a stopping mechanism, and the cushion valve should not be opened above that point. If air is supplied and operation started without confirming the above condition, the cushion valve may be ejected from the cover.
2. **Be certain to activate the air cushion at the stroke end.**  
 When the cylinder is used with cushion valve in a fully opened position, a suitable external device should be installed to absorb all the kinetic energy of the mechanism, of which the actuator is part, before reaching each stroke end. If this is not done, tie-rods or piston-rod assembly will be damaged.

**2 INTENDED CONDITIONS OF USE**

Fluid	Air	
Max. operating pressure	1.0 MPa	
Min. operating pressure	0.05 MPa	
Ambient and fluid temperature	-10 to 60 °C	
Lubrication	Not required	
Operating piston speed	50 to 1000 mm/s	
Cushion	Air cushion (both ends)	
Allowable kinetic energy	ø32	2.2 J
	ø40	3.4 J
	ø50	5.9 J
	ø63	11 J
	ø80	20 J
	ø100	29 J
Explosive atmosphere	Gas and Dust	
Zone	2 and 22	

**WARNING**

- In case the kinetic energy exceeds the value given in the table, please contact SMC.
- Do not use in case of heavy dusty environment where dust can penetrate into the cylinder and dry the grease.

**2.1 Production batch code**

The production batch code printed on the label indicates the month and year of production as per the following table:

Production batch codes												
	Jan	Feb	Mar	Apr	May	Jun	Jul	Aug	Sep	Oct	Nov	Dec
2003	HO	HP	HQ	HR	HS	HT	HU	HV	HW	HX	HY	HZ
2004	IO	IP	IQ	IR	IS	IT	IU	IV	IW	IX	IY	IZ
2005	JO	JP	JQ	JR	JS	JT	JU	JV	JW	JX	JY	JZ

**3 INSTALLATION**

**WARNING**

- Do not install unless the safety instructions have been read and understood.

**3.1 Environment**

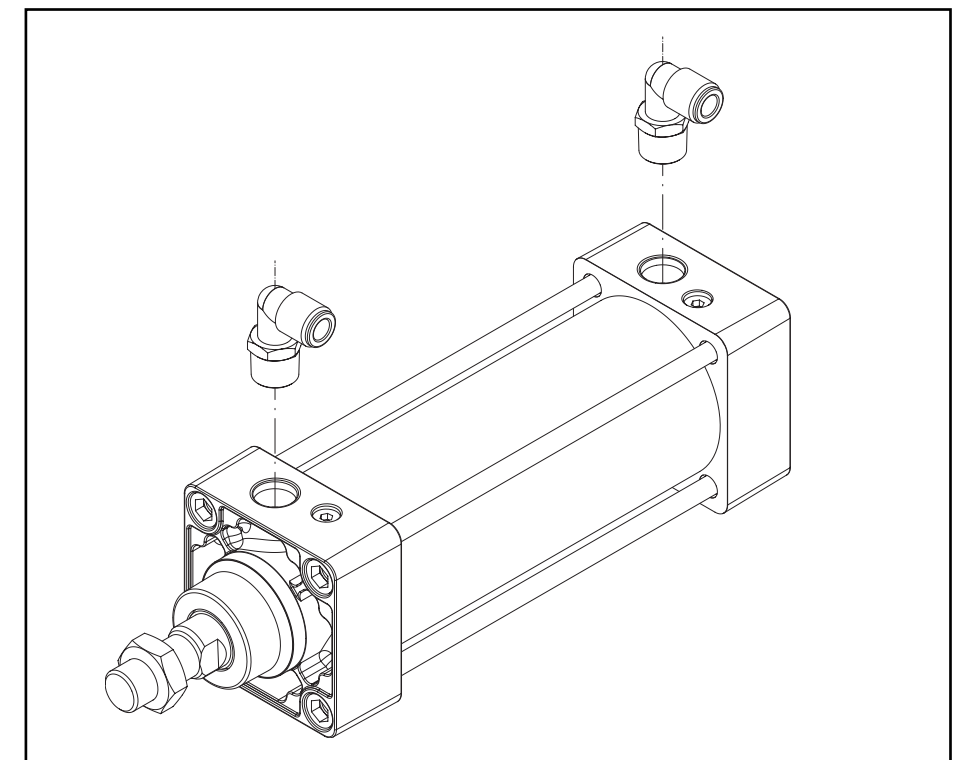
**WARNING**

- Do not use in an environment where the product is directly exposed to corrosive gases, chemicals, salt water, water or steam.
- The product should not be exposed to prolonged sunlight such to generate surface temperature higher than the value given for temperature class. Use a protective cover.
- Do not mount the product in a location where it is subjected to strong vibrations such to generate surface temperature higher than the value given for temperature class. Avoid any kind of shock or impact.
- Do not mount the product in a location where it is exposed to radiant heat.

**3.2 Piping**

**WARNING**

- Before piping clean away all chips, cutting oil, dust, etc.
- When installing piping or fitting into a port, in case of using sealant type fittings, ensure that sealant material does not enter the port inside. When using seal tape, leave 1.5 to 2 threads exposed on the end of pipe/fitting.



Port size	
ø32	G 1/8
ø40	G 1/4
ø50	G 1/4
ø63	G 3/8
ø80	G 3/8
ø100	G 1/2

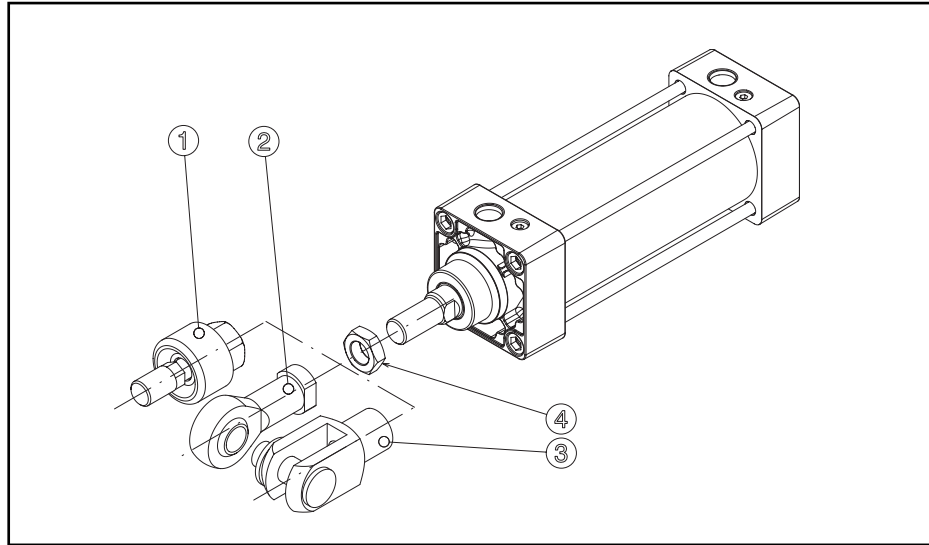
**3.3 Electrical connection**

**WARNING**

Provide grounding connection to the actuator to avoid any spark arising from potential differences.

### 3.4 Mounting accessories

#### Rod end accessories



1	Floating joint
2	Piston rod ball joint
3	Piston rod clevis
4	Rod end nut

#### Mounting procedure:

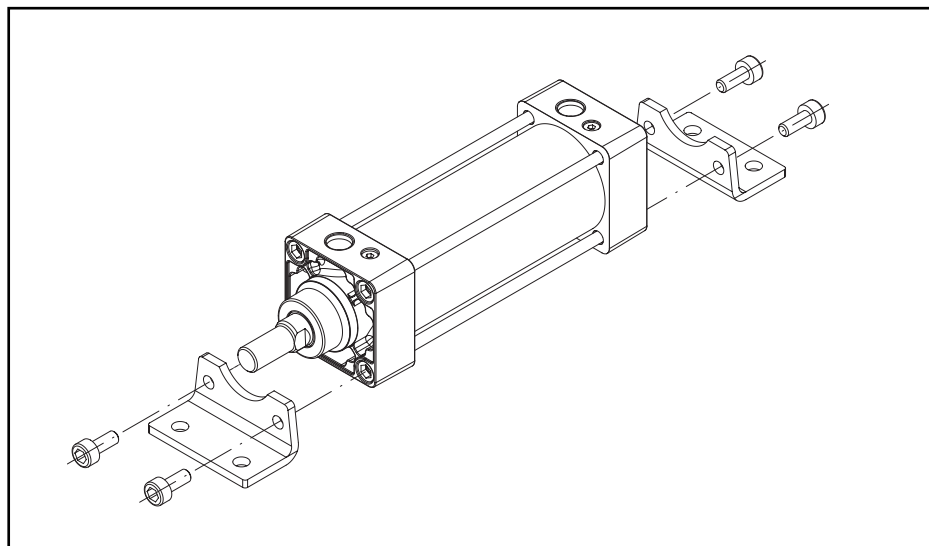
1. Screw the nut (4) loosely on rod end thread.
2. Screw the accessory (1, 2 or 3) on the rod end.
3. Tighten the nut against the accessory to fix it.

Use wrenches of the following dimensions:

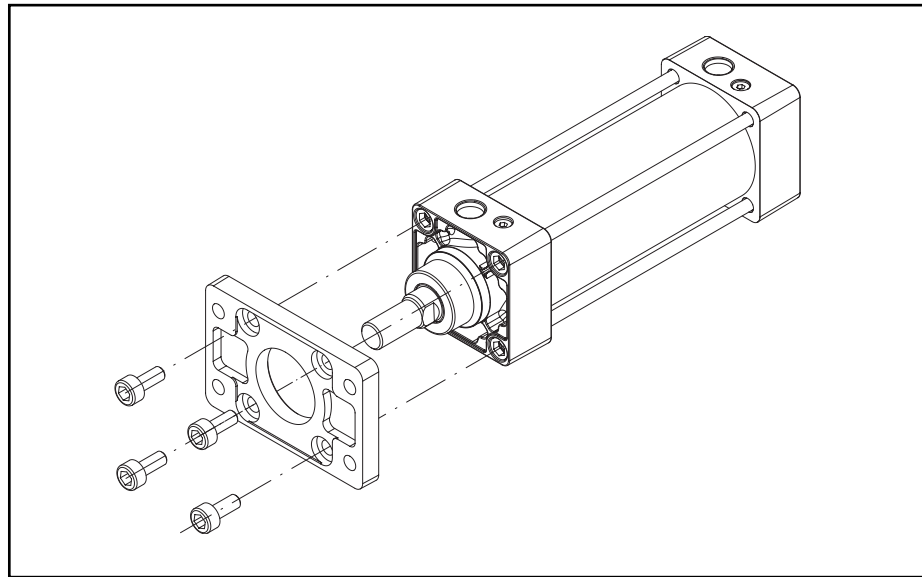
Bore size (mm)	Floating joint Width across flats (mm)	Clevis Width across flats (mm)	Ball joint Width across flats (mm)
32	17	20	17
40	22	24	19
50	27	32	32
63	27	32	32
80	32	40	32
100	32	40	32

Apply the tool to the suitable flat surfaces on the accessory.

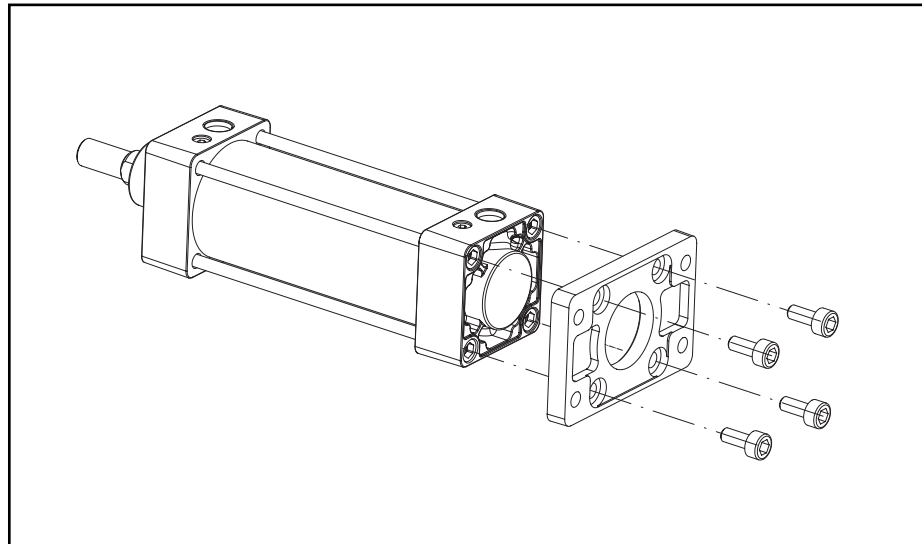
#### Foot brackets



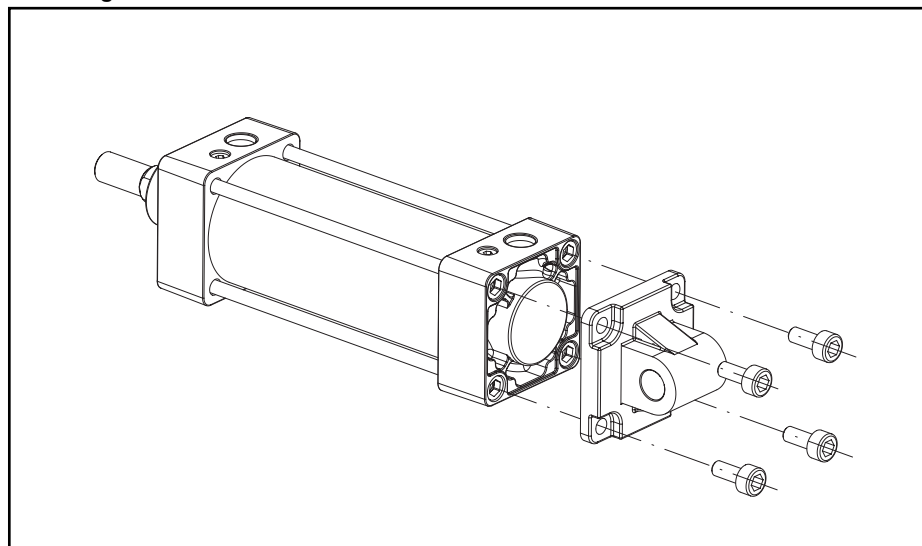
#### Front flange



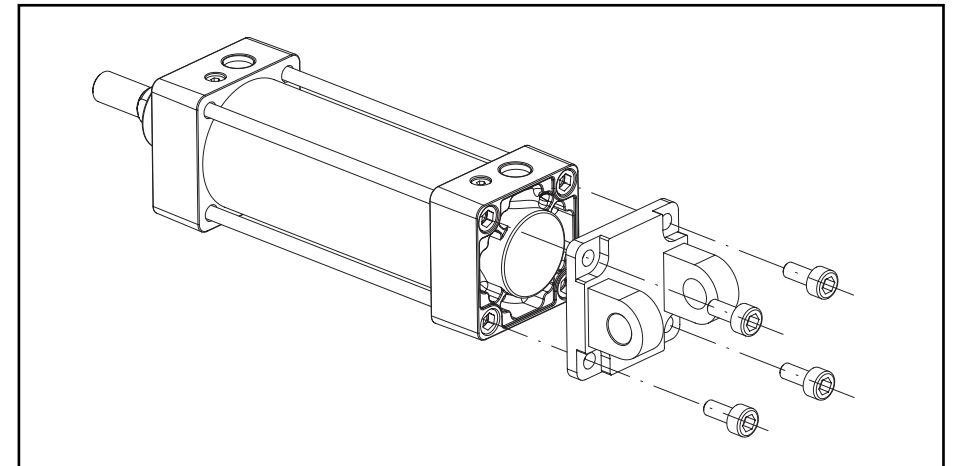
#### Rear flange



#### Rear single clevis



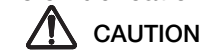
#### Rear double clevis



When replacing brackets, use the hexagon wrenches shown below.

Bore size (mm)	Width across flats (mm)	Tightening torque (Nm)
32	4	4.9
40	4	4.9
50	5	11
63	5	11
80	6	25
100	6	25

### 3.5 Lubrication

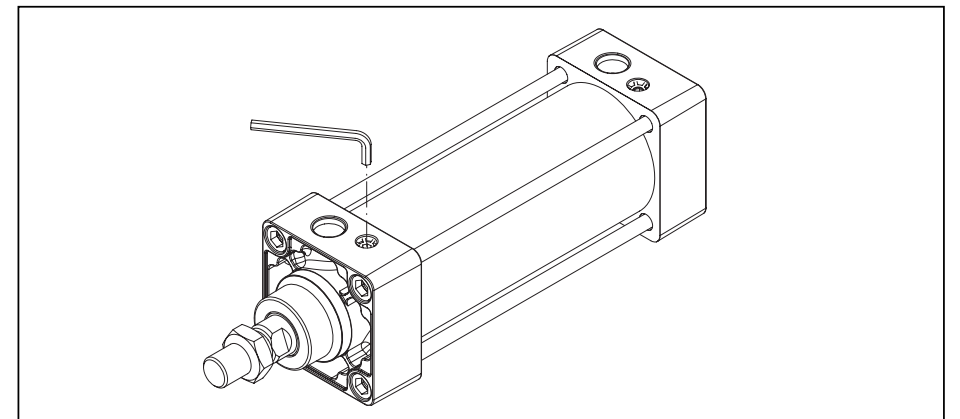


Our products have been lubricated for life at manufacturer, and do not require lubrication in service.

If a lubricant is used in the system, use turbine oil Class 1 (no additive), ISO VG32. Once lubricant is used in the system, lubrication must be continued because the original lubricant applied during manufacturing will be washed away.

### 4 AIR-CUSHION ADJUSTMENT

For air-cushion adjustment, tighten or loosen the cushion valve using a hexagon socket wrench.



Bore size (mm)	Width across flats (mm)
32	2.5
40	2.5
50	2.5
63	4
80	4
100	4

## 5 MAINTENANCE

### ⚠ WARNING

- Not following proper procedures could cause the product to malfunction and could lead to damage to the equipment or machine.
- If handled improperly, compressed air can be dangerous. Assembly, handling and repair of pneumatic system should be performed by qualified personnel only.
- Drain: remove condensate from the filter bowl on a regular basis.
- Shut down before maintenance: before attempting any kind of maintenance make sure the supply pressure is shut off and all residual air pressure is released from the system to be worked on.
- Start up after maintenance: apply operating pressure and power to the equipment and check for proper operation and possible air leaks. If operation is abnormal, please verify product set-up parameters.
- Do not make any modification to the product.
- Periodically check the rod surface, the rod seal and the cylinder tube external surface. Any damage in these components could increase friction and lead to dangerous conditions. Replace the whole actuator if any of these conditions should appear.
- Replace the seals, when air leakage is above allowable value given in the table below.

Internal leakage	5 cm <sup>3</sup> /min (ANR)
External leakage	10 cm <sup>3</sup> /min (ANR)

### Seals replacement

### ⚠ WARNING

Use only original SMC seal kits, given in the table below.

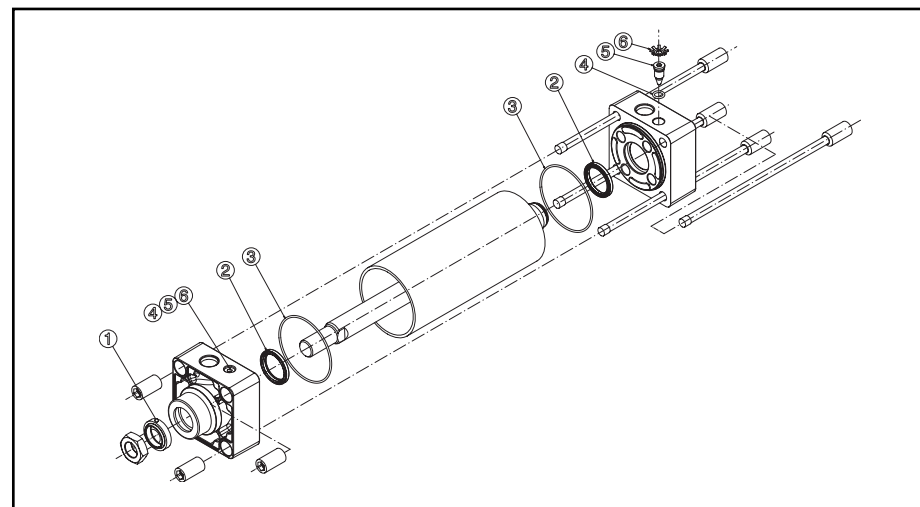
Bore size (mm)	Kit no.
32	CS95-32
40	CS95-40
50	CS95-50
63	CS95-63
80	CS95-80
100	CS95-100

### Procedure

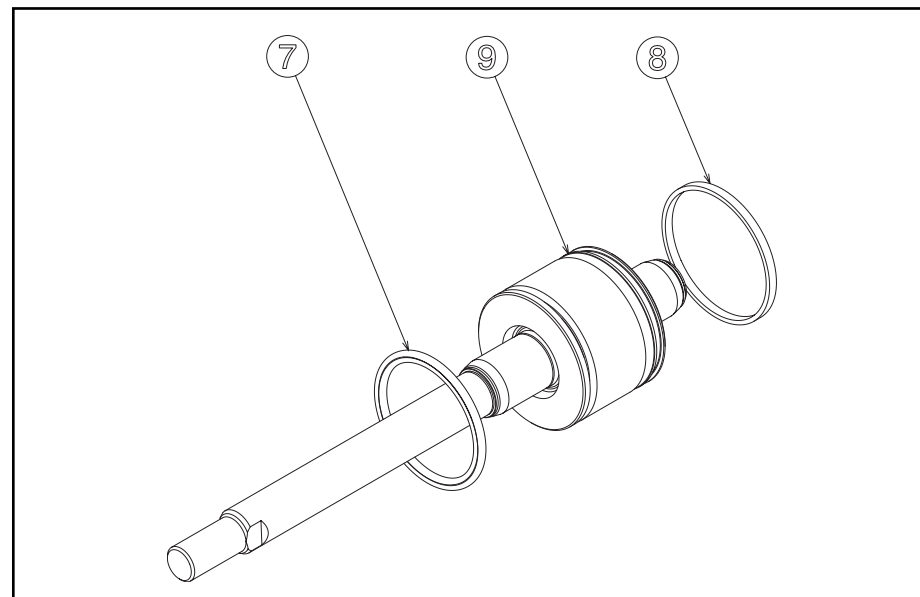
Disassemble the cylinder, remove the old grease and place all the parts on a clean cloth in a clean environment. The following hexagon socket wrenches shall be used to loosen the tie-rod nuts:

Bore size (mm)	Width across flats (mm)
32	6
40	6
50	8
63	8
80	10
100	10

Remove the old tube gaskets, rod seal, cushion seals, piston seal, wear ring, cushion screw seal (for bore sizes above or equal to 40 mm), using a fine screwdriver where necessary. If the magnet is present on the piston, do not remove it. This part is not to be replaced.



1	Rod seal
2	Cushion seal
3	Tube gasket
4	Cushion screw seal
5	Cushion adjustment screw
6	Washer



7	Piston seal
8	Wear ring
9	Magnet

Lubricate the parts using "Mitsubishi Multi Purpose Grease 2" or "Lithium Type Grease JIS 2".

Apply lubricant to:

- rod seal
- rod seal groove on the rod cover
- piston outer surface
- piston seal groove
- piston seal inner and outer surface
- tube gaskets
- cushion seals
- cushion seal grooves on the covers
- piston rod surface
- tube inner surface

The amount of lubricant, to be applied, is given in the following table:

Bore size (mm)	Stroke up to 100 mm (g)	For each additional 50 mm (g)
32	3	0.5
40	3~4	1
50	3~5	1
63	4~5	1.5
80	6~8	1.5
100	8~10	2

The cylinder is assembled in the following order: head cover, tube, piston rod sub-assembly and rod cover. Screw the tie-rod nuts onto the tie-rods, to the end of the threaded part. Put this assembly into the cylinder assembly from the head cover side. Tighten the diagonally opposing tie-rod nuts on the rod cover side according to the torque values given below.

Bore size (mm)	Torque Nm
32	5.0±10%
40	5.0±10%
50	11.0±10%
63	11.0±10%
80	25.0±10%
100	25.0±10%

Check for cylinder smooth movement and for air leakage.

## 6 LIMITATIONS OF USE

### ⚠ WARNING

- Do not exceed any of the specifications laid out in section 2 of this document or the specific product catalogue.

### ⚠ DANGER

- Air equipment has standard air leakage within certain limits.
- Do not use this equipment when the air itself can lead to explosion danger.

### ⚠ CAUTION

- Do not install and use this equipment in case of vibration such to lead to equipment failure. Contact SMC for this specific situation.

### ⚠ WARNING

- External impact on the cylinder body could result in spark and/or cylinder damage. Avoid any application where foreign objects can hit the cylinder. In such situations install suitable guard to prevent such impacts.
- Use only ATEX certified auto-switch. Order them separately.
- Do not use in presence of strong magnetic fields, which could generate surface temperature higher than the value given for the temperature class.

## 7 EUROPEAN CONTACT LIST

### SMC Corporation

AUSTRIA	(43) 2262-62 280	ITALY	(39) 02-92711
BELGIUM	(32) 3-355 1464	NETHERLANDS	(31) 20-531 8888
CZECH REP.	(420) 5-414 24611	NORWAY	(47) 67 12 90 20
DENMARK	(45) 70 25 29 00	POLAND	(48) 22-548 50 85
FINLAND	(358) 9-859 580	PORTUGAL	(351) 2 610 89 22
FRANCE	(33) 1-64 76 1000	SPAIN	(34) 945-18 4100
GERMANY	(49) 6103 4020	SWEDEN	(46) 8-603 0700
GREECE	(30) 1- 342 6076	SWITZERLAND	(41) 52-396 3131
HUNGARY	(36) 1-371 1343	TURKEY	(90) 212 221 1512
IRELAND	(351) 1-403 9000	UNITED KINGDOM	(44) 1908-56 3888

### Websites

SMC Corporation	www.smcworld.com
SMC Europe	www.smceu.com